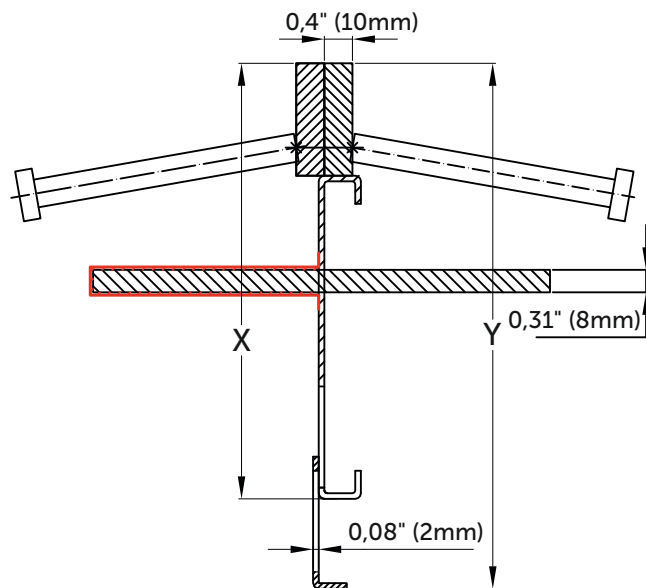




Flexible footer sizes, see table 1



Fixt footer sizes, see table 2

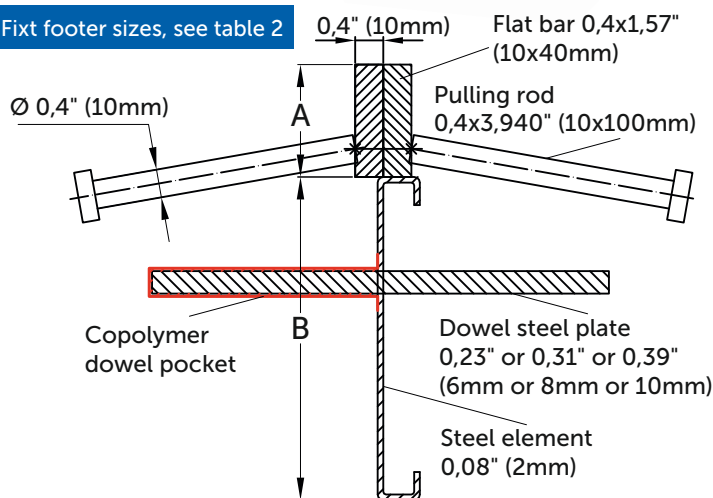


TABLE 1

Profile height (inch+mm)	Suggested Slab thickness (inch+mm)	X (inch+mm)	Y (inch+mm)	Dowel size (inch+mm)	Weight (Kg/m)	Weight (Kg/unit)	Quantity (pcs/pal.)	Quantity (m/pal.)	Gross Weight (m/pal.)	Pallets Height (m)
3,93-5,11 (100-130mm)	4,33-6,29 (110-160mm)	3,93 (100mm)	5,11 (130mm)	4,53x4,53	11,6	34,8	40	120	1500	0,9
5,51-7,48 (140-190mm)	6,69-8,66 (170-220mm)	5,51 (140mm)	7,48 (190mm)	x0,31 (115x115)	12,5	37,5	35	105	1400	0,95
7,87-9,84 (200-250mm)	9,05-11,02 (230-280mm)	7,87 (200mm)	9,84 (250mm)	x8mm)	13,5	40,5	27	81	1200	0,85

- Profile heights available in 0.19in (5mm) increments
- Each unit has a standard length of 3 meters (9,84 lf)

TABLE 2

Profile height (inch+mm)	Suggested Slab thickness (inch+mm)	A (inch+mm)	B (inch+mm)	Dowel size (inch+mm)	Weight (Kg/m)	Weight (Kg/unit)	Quantity (pcs/pal.)	Quantity (m/pal.)	Gross Weight (m/pal.)	Pallets Height (m)
3,54 (90mm)	3,93 - 4,33 (100-110mm)	1,57 (40mm)	1,96(50mm)	4,53x4,53 x0,31 (115x115 x8mm)	10,3	30,9	40	120	1300	0,9
3,93 (100mm)	4,33 - 5,11 (110-130mm)	1,57 (40mm)	2,36(60mm)		10,4	31,4	40	120	1350	0,9
4,92 (125mm)	5,31 - 6,10 (135-155mm)	1,57 (40mm)	3,34(85mm)		10,8	32,6	40	120	1400	0,95
6,10 (155mm)	6,29 - 7,28 (160-185mm)	1,57 (40mm)	4,52(115mm)		11,2	33,9	35	100	1250	0,95
6,88 (175mm)	7,28 - 8,07 (195-205mm)	1,57 (40mm)	5,31(135mm)		11,6	35,0	33	95	1250	0,9
7,87 (200mm)	8,26 - 9,05 (210-230mm)	1,57 (40mm)	6,29(160mm)		12	36,2	27	80	1100	0,85
8,85 (225mm)	9,25 - 10,03 (235-255mm)	1,57 (40mm)	7,28(185mm)		12,4	37,4	27	80	1100	0,85
9,84 (250mm)	10,23 - 11,02 (260-280mm)	1,57 (40mm)	8,26(210mm)		12,8	38,6	22	65	900	0,8
10,82 (275mm)	11,22 - 12,00 (285-305mm)	1,57 (40mm)	9,25(235mm)		13,2	39,8	22	65	1000	0,8

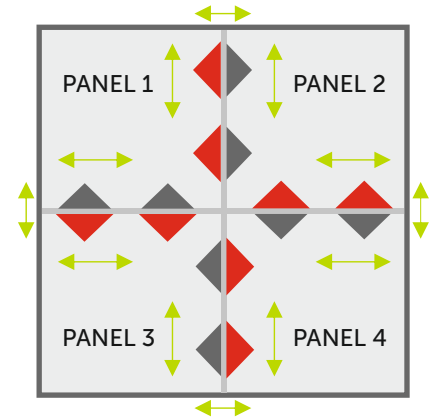
- Profile heights available in 0.19in (5mm) increments
- Each unit has a standard length of 3 meters (9,84 lf)

Actual measurements in [mm] only. [in] measurements are approx. indications only.

UNIQUE DESIGN TO SUPPORT BI-DIRECTIONAL MOVEMENT



ABS Copolymer Pockets For Steel Dowels

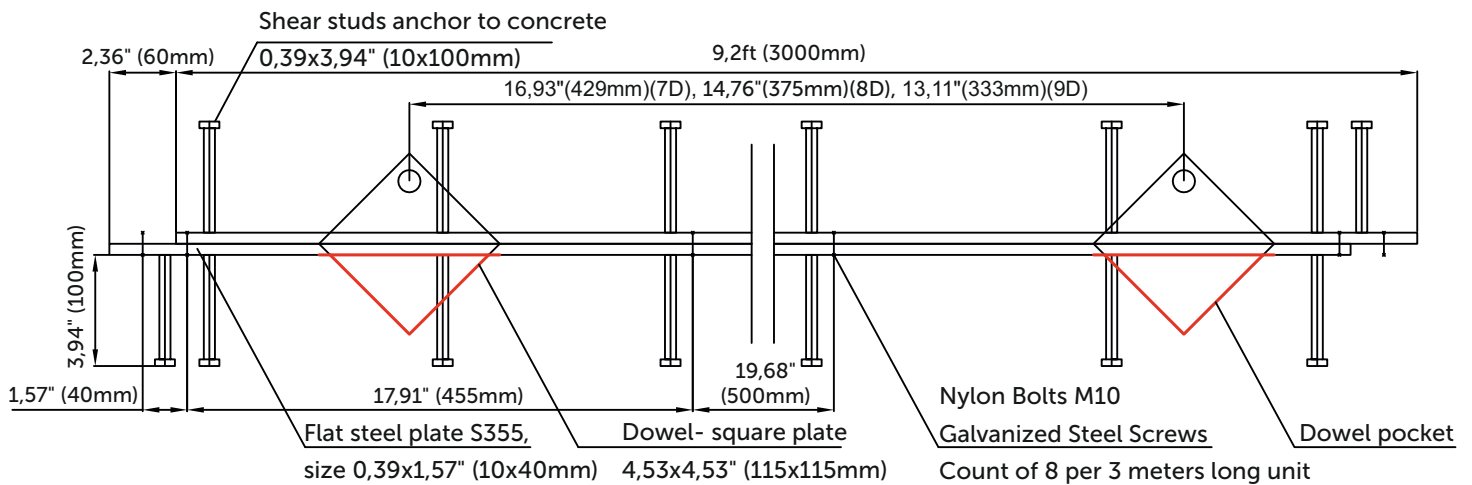


INDUSTRY-LEADING LOAD TRANSFER PERFORMANCE BY DESIGN

Load transfer capacity as a function of joint opening and steel dowel spacing

Dowel size 4,53"x4,53"x0,31" (115x115x8mm)	opening dilatation					
	0 (0mm)	0,19" (5mm)	0,39" (10mm)	0,59" (15mm)	0,78" (20mm)	0,98" (25mm)
Count of dowels \ per 3 meters long unit						
7D, spacing 16,87"(429mm)	313[kN/lm]	206[kN/lm]	140[kN/lm]	99[kN/lm]	73[kN/lm]	56[kN/lm]
8D, spacing 14,76"(375mm)	358[kN/lm]	235[kN/lm]	160[kN/lm]	114[kN/lm]	84[kN/lm]	64[kN/lm]
9D, spacing 13,11"(333mm)	403[kN/lm]	265[kN/lm]	180[kN/lm]	128[kN/lm]	94[kN/lm]	72[kN/lm]

- According to TR34. Edition 4 from 2013
- Load transfer capacity based on S355MC steel and C25/30 concrete



Actual measurements in [mm] only. [in] measurements are approx. indications only.

INCLUDED:

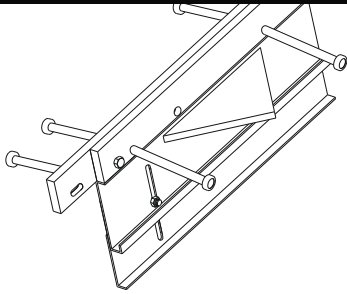
- Steel grade S355 used with steel components.
- Movement - securig ABS dowel pockets.
- Extra large & thicker steel dowels.
- Densely provided steel dowels minimum 7 dowels* per unit.
(see table 'load transfer capacity')
- One standard unit length of 3 meters.

OPTIONAL:

- ANSI steel grades S304 & S316.
- Galvanized steel.
- Interstitial expansion material (5 or 10mm foam).
- Higher counts of steel dowels per unit, up to 9 per unit.
- Site - friendly joint leveling system.
- Height adjustment system to fit larger slab thickness range.

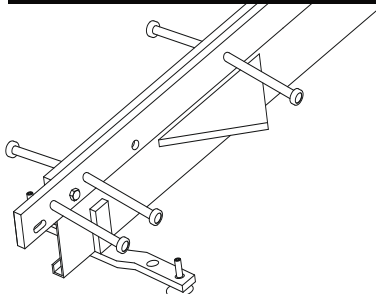
ADAPTATIVE HEIGHT JOINT SYSTEMS

UNMATCHED FLEXIBILITY & EFFICIENCY
USE FOR SEVERAL SLAB DESIGNS



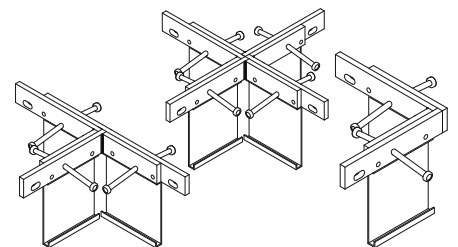
SITE-PREFERRED AND TRUSTED JOINT LEVELING SYSTEMS

FREEZER INSULATION-FRIENDLY
RADON BARRIER-FRIENDLY INSTALL



CONARMOR CONNECTORS & ACCESSORIES REPAIR JOINTS

WE HAVE IT ALL
YOU BUILD IT ALL



HOW TO ORDER ?
PLEASE CONTACT CONARMOR

✉ sales@conarmorsteel.com
☎ +17044806677
📍 Conarmor LLC
PO Box 500
Mt Mourné, NC 28123

ASK ABOUT OUR SERVICES !

ASSISTANCE TO PRODUCT SELECTION
ONSITE INSTALL TRAINING SERVICES
PEER-REVIEWED LOAD TRANSFER
CALCULATIONS

CONARMOR SOLUTIONS FOR
CUSTOMIZED & SPECIAL ORDERS

STAINLESS / GALVANIZED ARMOR JOINTS
BUILT TO SUIT YOUR APPLICATION
COMPOSITE POLYMER JOINT SYSTEMS